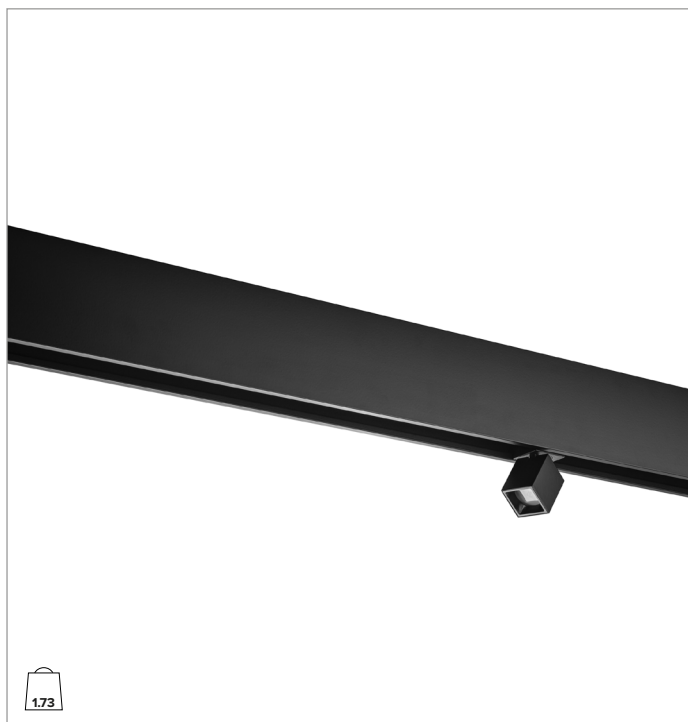
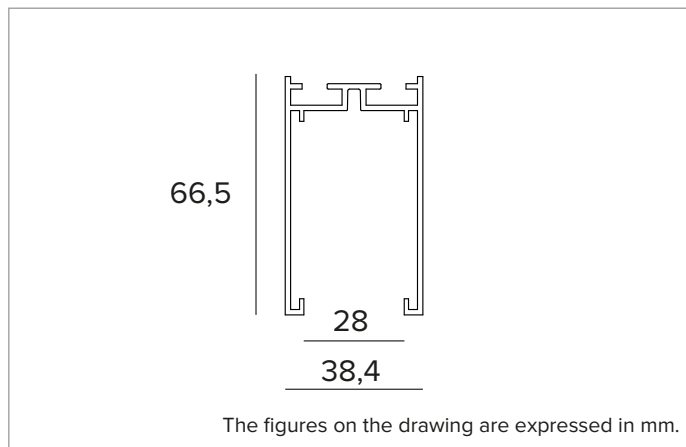


## 1T7048 | OZ Ceiling/Suspension installation profile

### Ceiling/suspension installation profile for 25x25mm light modules



1.73



#### MECHANICAL CHARACTERISTICS

Extruded painted aluminium profile. Central/end module.

**Colour and finish:** Deep black

**Dimensions:** L=2000mm

**Weight:** 1.73Kg

**Version:** FOR 25x25mm LIGHT MODULES - CENTRAL/END MODULE

#### INSTALLATION

For stand-alone installation only used head modules. For system installation it is necessary to start the configuration with a head module. For closed configurations it is necessary to order a minimum of two head modules or multiples of two to install back to back.

#### NOTES

To be completed with Power Track.

#### WARRANTY

5 years.

#### WARNING

Luminaire designed for disposal/recycling at end-of-life.

Due to the technological evolution of the electronic components, the data provided may be updated, and as such, confirmation must be requested during the order process.

Luminous flux and power supply have +/-10% tolerances with respect to the indicated value. tq +25°C (CIE 121).

We reserve the right to make technical changes.

Targetti Sankey S.r.l.  
Via Pratese, 164  
50145 Firenze - Italy  
Tel: +39 055 37911  
targetti.com  
targetti@targetti.com

CCIAA Firenze  
Share Capital:  
€ 500.000,00  
VAT N. (IT):  
01537660480  
R.E.A: FI-275656

# TARGETTI

## 1T7048 | OZ Ceiling/Suspension installation profile

### Ceiling/suspension installation profile for 25x25mm light modules

#### Related codes

##### End Caps



Colour      Code

●      **1T7063**

Kit containing 2 profile end caps.  
For small ceiling/suspension mounted profiles.

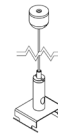
##### Mounting System



Code

**1T7065**

Ceiling installation kit.  
2 pieces to be ordered for 1m long modules, 2 pieces for 2m long modules and 3 pieces for 3m long modules.



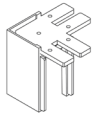
Code

**1T7066**

Suspension installation kit.  
L=2000mm.  
2 pieces to be ordered for 1m long modules, 2 pieces for 2m long modules and 3 pieces for 3m long modules.

#### Accessories

##### Mechanical connector



Colour      Code

●      **1T7059**

Mechanical L connector.  
For small ceiling/suspension mounted profiles.



Colour      Code

●      **1T7060**

Mechanical T connector.  
For small ceiling/suspension mounted profiles.



Colour      Code

●      **1T7061**

Mechanical X connector.  
For small ceiling/suspension mounted profiles.



Colour      Code

●      **1T7097**

Linear mechanical joint, made of 4 mechanical joints and 4 screws.  
For ceiling/suspension installation profile.

Due to the technological evolution of the electronic components, the data provided may be updated, and as such, confirmation must be requested during the order process.  
Luminous flux and power supply have +/-10% tolerances with respect to the indicated value. tq +25°C (CIE 121).

We reserve the right to make technical changes.

Targetti Sankey S.r.l.  
Via Pratese, 164  
50145 Firenze - Italy  
Tel: +39 055 37911  
targetti.com  
targetti@targetti.com

CCIAA Firenze  
Share Capital:  
€ 500.000,00  
VAT N. (IT):  
01537660480  
R.E.A.: FI-275656

**TARGETTI**

## 1T7048 | OZ Ceiling/Suspension installation profile

### Ceiling/suspension installation profile for 25x25mm light modules

#### Cover Panel



L mm	Colour	Code
1000	●	<b>1T9597</b>
2000	●	<b>1T9598</b>

Cover for small profiles for ceiling/suspension installation.

Due to the technological evolution of the electronic components, the data provided may be updated, and as such, confirmation must be requested during the order process.

Luminous flux and power supply have +/-10% tolerances with respect to the indicated value. tq +25°C (CIE 121).

We reserve the right to make technical changes.

Targetti Sankey S.r.l.  
Via Pratese, 164  
50145 Firenze - Italy  
Tel: +39 055 37911  
targetti.com  
targetti@targetti.com

CCIAA Firenze  
Share Capital:  
€ 500.000,00  
VAT N. (IT):  
01537660480  
R.E.A: FI-275656

**TARGETTI**